



Product description:	QT-FIT8 3x/4x18
Product code:	4008321294319
Quantity:	Shipping carton box (VS) contains 20 Piece (PCE)

You can find this product in the eCatalog:

http://catalog.myosram.com?~language=EN&~country=DE&it_p=4008321294319

Applications	
Suitable f. fixtures with prot. class	Class I

Certificates & Standards	
Approval marks - approval	ENEC 10 VDE VDE-EMC
EEL - Energy Label	A2
Standards	acc. to EN 61347-2-3 acc. to EN 60929 acc. to EN 55015:2006 + A1:2007 acc. to EN 61000-3-2 acc. to EN 61547

General Description	
Design / version	ECG standard

Logistical Data	
Product weight	219 g
Relative humidity	5...85 % ¹⁾
Temperature range at storage	-40...85 °C

Technical - Electrical Data	
Nominal voltage	220-240 V
Mains frequency	50-60 Hz
DC voltage	185...264 V
Operating frequency	40...50 kHz
Max. no. of ECGs on circuit breaker 10 A	8
Max. no. of ECGs on circuit breaker 16 A	13

Technical - Geometries	
Cable cross-section, input side	0.5...1.5 mm ²
Cable cross-section, output side	0.5...1.5 mm ²
Length	280.00 mm
Width	40.00 mm
Nominal voltage	28.00 mm
Mounting hole spacing, length	270 mm

Technical - Temperatures	
Max. housing temperature in case of fault	110 °C

Packaging units				
Product code	Packaging type and content	Dimensions in h x w x l	Gross weight	Volume
4008321294302	Unpacked contains 1 Piece	39,000 mm x 28,000 mm x 278,000 mm	234,000 g (0,000 g)	0,304 Cubic dec.
4008321294319	Shipping carton box contains 20 Piece	212,000 mm x 131,000 mm x 311,000 mm	5,210,000 g (0,000 g)	8,637 Cubic dec.



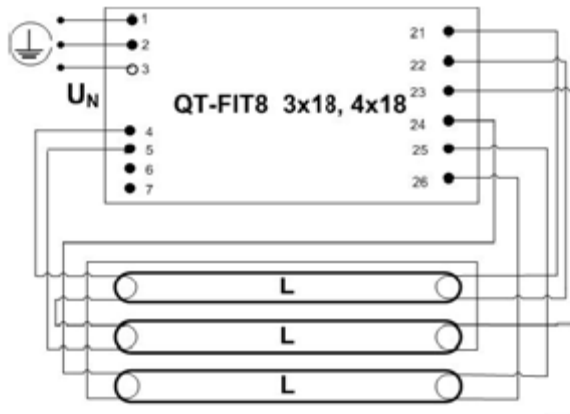
product details

QT-FIT8 3x/4x18

General

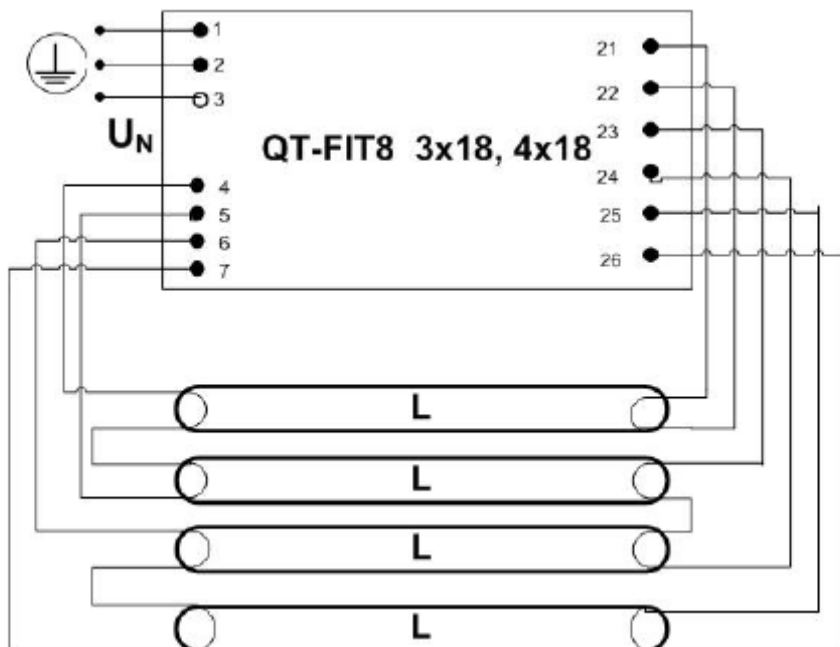
- Supply voltage: 220 - 240 V
- Line frequency: 50 - 60 Hz
- Line voltage: 198 - 264 V
- Suitable for use in emergency lighting systems as per EN 50172/DIN VDE 0108-100
- Same luminous flux with direct and alternating current
- The battery voltage may drop to 185 V. Ignition must take place above 198 V
- Perfect lamp starting for applications with motion sensors, lamp start within 2 s. If there is a temporary interruption in the power supply (<0.5 s) the lamp will start within 0.3 s
- Automatic safety shutdown of lamps in the event of a defect or at end of life (EoL T.2)
- Automatic restart of replacement lamps
- Energy Efficiency Index EEI=A2
- Approval marks: EMV Sign
- Additional features: Cut off Sign EOL Sign
- Safety: to EN 61347-2-3
- Lamp operation: to EN 60929
- RI suppression: to EN 55015:2006+A1:2007/CISPR 15
- Line harmonics: to EN 61000-3-2
- Immunity: to EN 61547

¹⁾ Maximum 56 days/year at 85 %

**Lamp wiring | Lampenverdrahtung****QT-FIT8 3x18, 4x18 – 3lamp version | 3-lampige Verdrahtung**

Max. permitted cable length in between ECG and lamp: 1.0 m (PIN 25, 26); 1.5 m (PIN 4, 5, 21, 22, 23, 24)

Max. Leitungslänge zwischen EVG und Lampe: 1.0 m (PIN 25, 26); 1.5 m (PIN 4, 5, 21, 22, 23, 24)

QT-FIT8 3x18, 4x18 – 4lamp version | 4-lampige Verdrahtung

Max. permitted cable length in between ECG and lamp: 1.0 m (PIN 6, 7, 25, 26); 1.5 m (PIN 4, 5, 21, 22, 23, 24)

Max. Leitungslänge zwischen EVG und Lampe: 1.0 m (PIN 6, 7, 25, 26); 1.5 m (PIN 4, 5, 21, 22, 23, 24)